

Aqua Caiman[®]

A Better In-Channel Articulating Rake Screen



Proudly made
in the USA

Where Roller Coasters Meet Wastewater

To create something new, you need a new perspective. To create something good, you need experience. For the design of the Aqua Caiman®, Parkson engineers teamed up with an outside design firm with experience creating everything from mining equipment to amusement park rides and rethought **EVERYTHING**. That is how Parkson was able to improve upon just about every aspect of the industry standard articulating rake screen.

Superior
design and
manufacture of
wiper arm

Easy

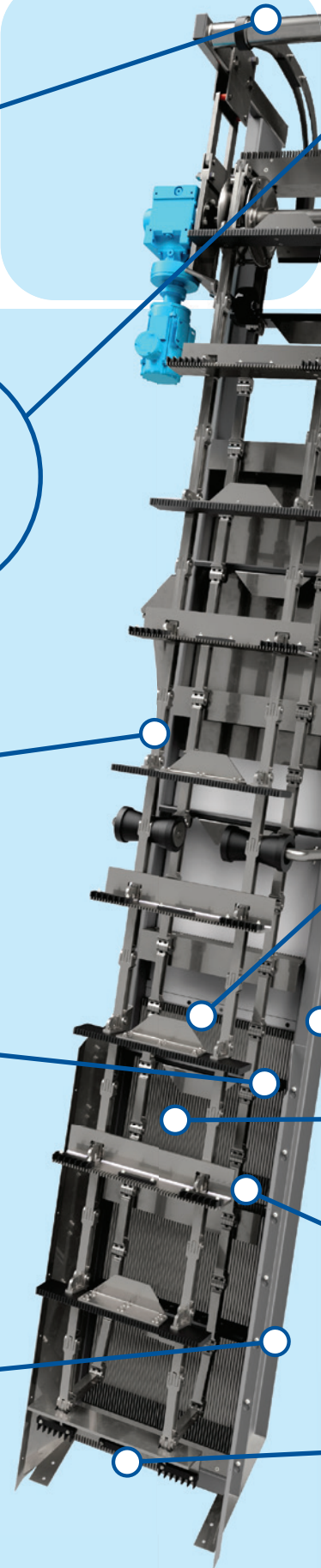
True-Track™ chain
positioner allows
adjustment without
a hoist

Optimized
link design and
manufacturing for
ultimate strength

True

100% engagement
of rakes with
True-Engage™
patent pending
fastening design

Five
installation angles
available





**312
height
variations**

- 10 bar rack heights
- 34 discharge heights

Simply a better screen.
Period.

Single

casting for head pully
drive components



Better

transition cross
support for easier
individual bar
replacement

Improved

frame design for large
bar rack applications

Optimized

bar shape for
reduced headloss

Stronger

cross supports with
geometries that lower
headloss

Specialized

toe bar cross support
for additional strength
and reduced headloss

More improvements than we can
list on a single brochure.

Contact Parkson today so we can review everything
we've done to design a BETTER screen for you.

The Aqua Caiman® represents the next generation of articulating rake screen.

The key element of articulating rake screen technology is the rake system utilized to clean the screening bars. This system consists of a series of rakes attached to chain links which have a unique geometry that produce a flexible belt assembly. This flexible assembly not only allows the rakes to handle large solids with ease, but also eliminates the need for a bearing in the bottom of the treatment channel.

Parkson coupled over 40 years' experience working on thousands of in-channel screen installations, with in-depth market and engineering research to better understand the weaknesses of existing multi-rake and articulating rake screens. This information was utilized to make a long list of subtle improvements, as well as, numerous substantial advancements during the development of the Aqua Caiman. The result is the most competitively priced articulating rake screen that provides unmatched durability, ease of operation and protection of downstream process equipment.



Now Available in Multiple Configurations

NEW!

The Aqua Caiman line has expanded and is now available in multiple configurations with inclined or vertical mounting and for standard or heavy-duty applications.

Contact us for additional information!



The Aqua Caiman being used in conjunction with Parkson's Aqua WashPress® for dewatering.

Aqua Caiman Features and Benefits

- Better price, better manufacturing, better design, stronger components and easier operation
- Designed to fit your application:
 - » 312 height variations
 - » 10 bar rack height variations
 - » 34 discharge height variations
 - » Coarse and fine bar spacing
 - » 304 and 316 stainless steel options
 - » 60° – 90° installation angles
- Full covers for odor control
- Patent pending **True-Engage™** bar fastening design allows for true 100% rake engagement and ease of individual bar replacement
- **True-Track™** chain positioner eliminates need for hoist to fine-tune rake engagement
- Teardrop shaped bars and low-profile screen bottom designed for low headloss
- Can be used in conjunction with Parkson's conveyors or wash compactors to complete the screening system



Fort Lauderdale
Chicago
Kansas City
Denver
Birmingham

1.888.PARKSON
technology@parkson.com
www.parkson.com

